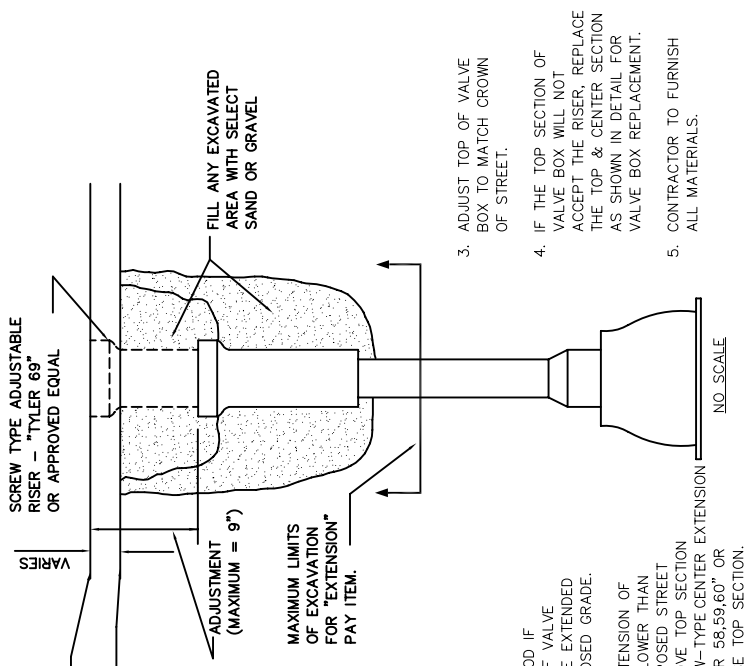
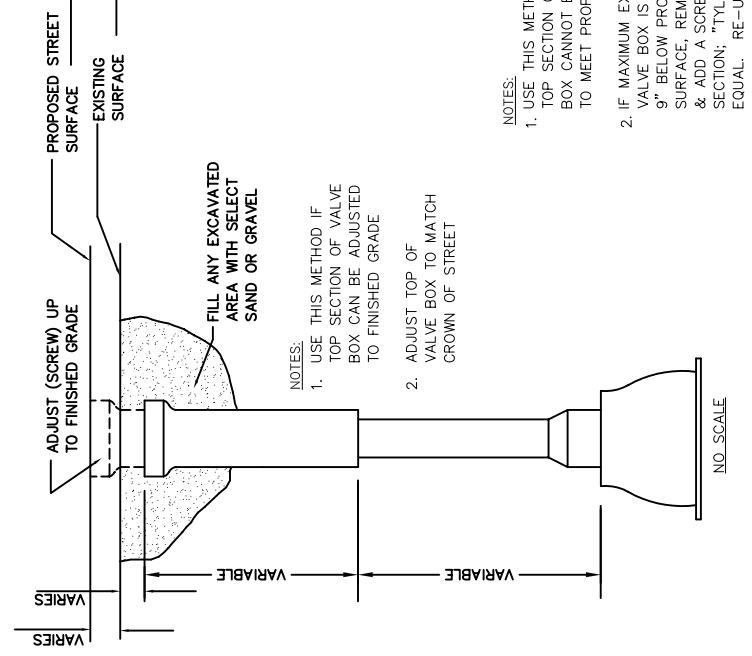


VALVE BOX INSTALLATION



VALVE BOX EXTENSION
(OR REPLACEMENT OF TOP SECTION)



VALVE BOX ADJUSTMENT

VALVE BOX ADJUSTMENT / REPLACEMENT

Revised: April 2008

City of Madison
Engineering Department
Valve Box
Adjustment / Replacement



PO Box 308
116 W. Center Street
Madison, SD 57042
Phone: (605)256-7514
Fax: (605)256-7511